



WC - MEM

Tissue holder without cover - platinum

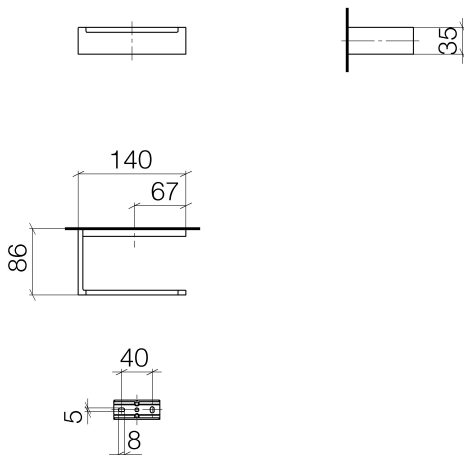
Article number: 83 500 780-08

- Width 5-1/2"
- Height 1-3/8"
- 3-3/8" Projection



platinum

Dimensional drawing



All dimensions in mm / inch = mm x 0,0394



WC - MEM

Tissue holder without cover - platinum

Article number: 83 500 780-08



WC - MEM

Tissue holder without cover - platinum

Article number: 83 500 780-08

Other surface finishes



polished chrome
83 500 780-00



platinum matte
83 500 780-06



Dark Brass matte
83 500 780-16



Dark Bronze matte
83 500 780-17



Cyprum
83 500 780-49



Dark Platinum matte
83 500 780-99

More custom finish options are available via special production (xTra Service). Please see our finish matrix for availability and pricing or contact a Dornbracht representative.

Spare parts list

Number	Item Number	Designation	Number of units
--------	-------------	-------------	-----------------

